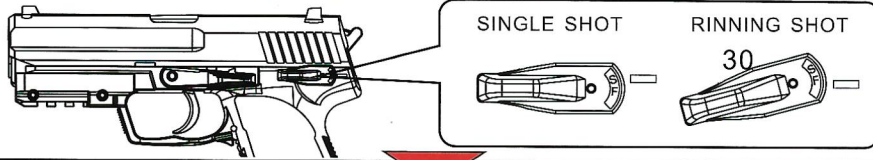
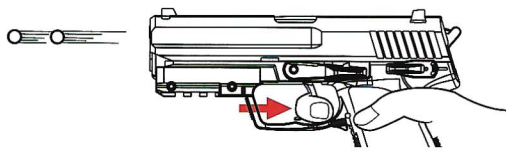


6 射击 SHOT

- ① Set semi-auto switch in semi or auto position.
将单连发转换件拨在单发或连发位置。

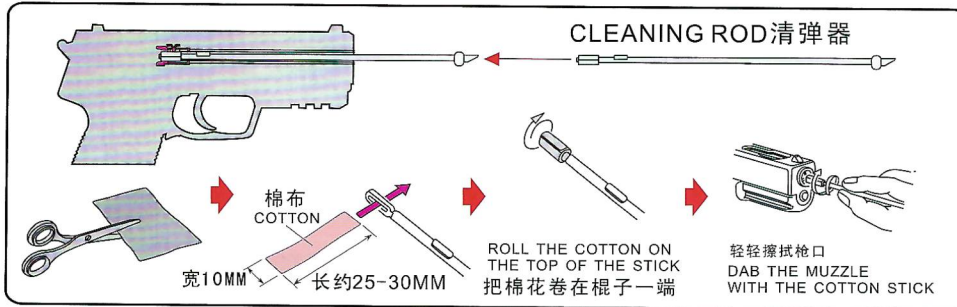


- ② PULL THE TRIGGER TO SHOT.
扣动扳机射击。



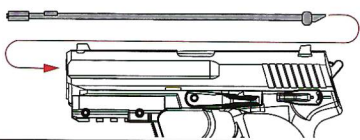
7 清除阻塞BB弹 REMOVE CLOGGED BULLETS

- 1 清通枪膛 CLEAN THE BORE



- 2 清除阻塞BB弹 REMOVE CLOGGED BULLETS

- ① Unload the magazine, insert rod into the barrel as picture showing.
退出弹盒, 将清弹器如图所示沿枪口插入。



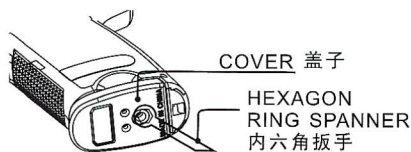
- ② REMOVE THE CLOGGED BULLETS.
清除阻塞的BB弹。



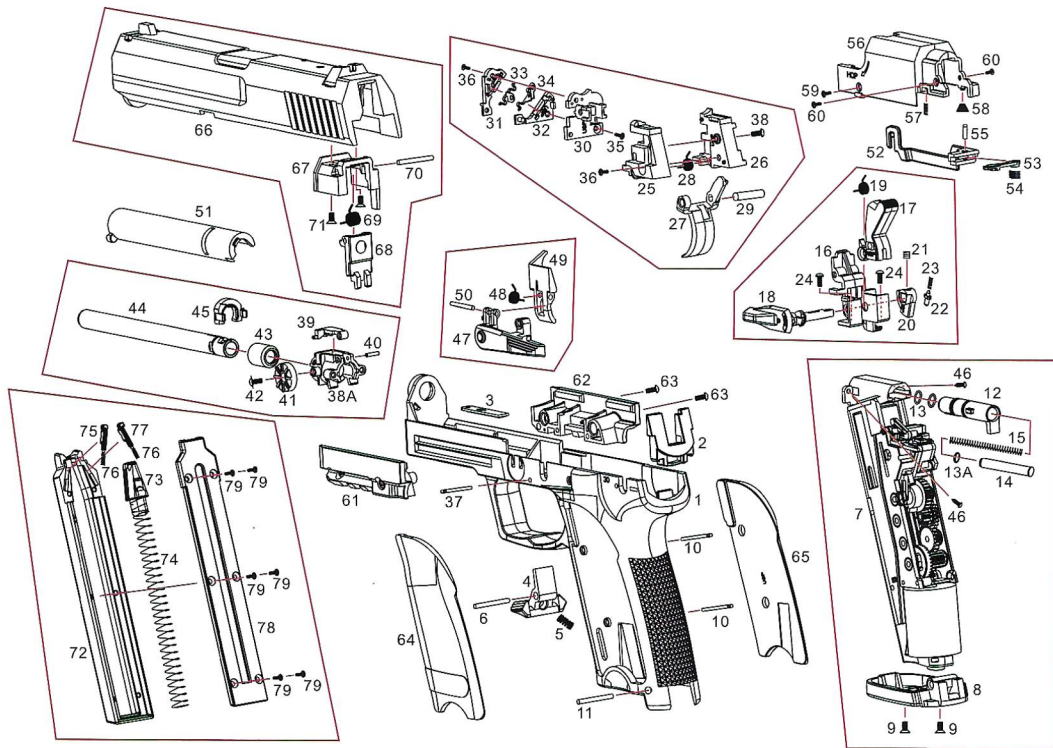
- 3 电机的微调 ELECTRICAL ENGINEERING OF TINY ADJUST

ONLY WHEN THE MOTOR NOISE BECOMES HIGH AFTER OPERATIONS FOR ALONG PERIOD OF TIME, CONDUCT THE FINE ADJUSTMENT AS SHOWN.

若使用时间过长, 电机发出很大的噪音时, 请按如图所示对电机进行微调。



THE COMPOSITION OF CM.125



1 主体	Gun body	27 扳机	Trigger	53 离合片	Clutch piece
2 后座装饰件	Decorating parts	28 扳机扭簧	Trigger torsional spring	54 离合片簧	Spring
3 手电穿线孔配件	Hole accessories for flashlight	29 扳机轴铜套	Trigger shaft copper bush	55 $\varnothing 2 \times 5$ 花轴	$\varnothing 2 \times 5$ shaft
4 弹匣扣件	Magazine button	30 电池座	Battery base	56 过只罩	Hop-up cover
5 弹匣扣压簧	Magazine button spring	31 电池座左盖	Battery base left cover	57 保险压簧	Safety spring
6 $\varnothing 3 \times 16$ 弹性销	$\varnothing 3 \times 16$ spring pin	32 电池座右盖	Battery base right cover	58 单发回簧	Single shot spring
7 保箱	Gear box	33 电池座负极铜片	Cathode sheet copper	59 M2×12KMHO	M2×12 KMHO
8 手把底盖	Hand grip based cover	34 电池座正极铜片	Anode sheet copper	60 M2×5KMHO	M2×5 KMHO
9 2×6KMHO	2×6 KMHO	35 $\varnothing 2 \times 5$ KBHO	$\varnothing 2 \times 5$ KBHO	61 左鱼骨	Left rail
10 $\varnothing 2 \times 27$ 单花铁轴	$\varnothing 2 \times 27$ shaft	36 M2×8KMHO	M2×8 KMHO	62 右鱼骨	Right rail
11 $\varnothing 3 \times 27$ 花轴	$\varnothing 3 \times 27$ shaft	37 $\varnothing 2 \times 26$ 单花铁轴	$\varnothing 2 \times 26$ shaft	63 $\varnothing 3 \times 10$ PTHO	$\varnothing 3 \times 10$ PTHO
12 上膛套	Loading sets	38 $\varnothing 2 \times 4$ TBHO	$\varnothing 2 \times 4$ TBHO	64 左贴片	Left grip cover
13 膛套O型圈	O type ring	38A 过只	Hop-up	65 右贴片	Right grip cover
13A 导钉O型圈	Guide nail O-rings	39 过只调节件	Hop-up adjust	66 拉手	Puller
14 膛簧导钉	Chamber spring guide nail	40 $\varnothing 1.5 \times 8$ 花轴	$\varnothing 1.5 \times 8$ shaft	67 拉手扣座	Puller button base
15 上膛回位簧	Loading spring	41 HOP调节钮	Hop-up adjust button	68 拉手扣件	Puller button
16 膛后座	Loading rear base	42 $\varnothing 2 \times 4$ PWAHO D=6	$\varnothing 2 \times 4$ PWAHO D=6	69 拉手扭簧	Puller spring
17 击锤	Gun body release button	43 过只橡胶	Hop-up rubber	70 $\varnothing 2 \times 21$ 花轴	$\varnothing 2 \times 21$ shaft
18 单连发拨件	Semi/auto selected plate	44 过只铜管	Hop-up brass	71 M2×5KMHO	M2×5 KMHO
19 击锤扭簧	Spring	45 过只扣件	Hop-up button	72 弹匣主体	Magazine main body
20 单连发固定座	Single-running fixed base	46 $\varnothing 2 \times 6$ PAHO	$\varnothing 2 \times 6$ PAHO	73 升弹头	Lifting warhead
21 M3×3钻力	M3×3 screw	47 电池卸件座	Unload battery base	74 扁压簧	Spring
22 单连发定位粒	Positioning grain	48 电池卸件扭簧	Unload battery base spring	75 左嘴卡件	Left block
23 单连发定位簧	Positioning spring	49 电池卸件	Battery release	76 弹匣嘴压簧	Magazine mouth spring
24 $\varnothing 2.6 \times 8$ PBHO	$\varnothing 2.6 \times 8$ PBHO	50 $\varnothing 2 \times 12.5$ 单花铁轴	$\varnothing 2 \times 12.5$ shaft	77 右嘴卡件	Right block
25 左扳机座	Trigger left base	51 枪外管	Outer barrel	78 弹匣盖	Magazine cover
26 右扳机座	Trigger right base	52 拉杆	Driving lever	79 M2×6KMHO	M2×6 KMHO